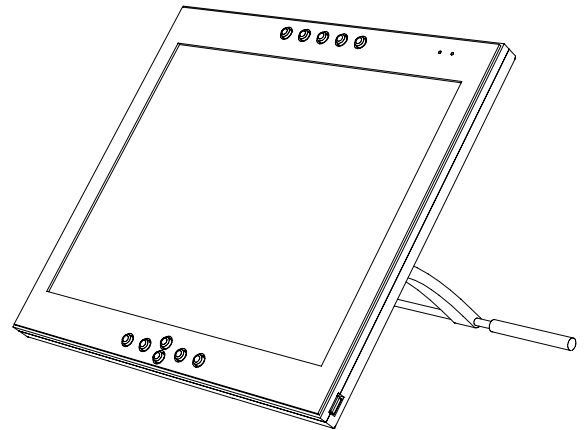


Symposium™ Interactive Pen Display

Specifications – Model ID350

Physical Specifications

Size	13 1/2" W × 11 3/4" H × 1 7/8" D (34.3 cm × 29.8 cm × 4.8 cm)
With Tilt Stand (lowest position)	13 1/2" W × 4 3/8" H × 11 1/2" D (34.3 cm × 11.1 cm × 29.2 cm)
With Tilt Stand (highest position)	13 1/2" W × 11 1/2" H × 8 1/2" D (34.3 cm × 29.2 cm × 21.6 cm)
Display Area	12" W × 9" H (30.5 cm × 22.9 cm) 15" (38.1 cm) diagonal
Weight (with stand)	10 lb. (4.5 kg)
Shipping Size	17 5/8" W × 16 3/8" H × 8 3/4" D (44.8 cm × 41.6 cm × 22.2 cm)
Shipping Weight	14 lb. 8 oz. (6.6 kg)



All dimensions +/- 1/8" (0.3 cm). All weights +/- 2 lb. (0.9 kg).

Console Features

Software	SMART Board™ software version 9.7 and Notebook™ software version 9.7. Software upgrades are available at www.smarttech.com/support/software/index.asp .
Tilt Stand	You can adjust the console's tilt angle from a minimum position of 18° from vertical to a maximum position of 73° from vertical
Mounting	Standard VESA 75 mm rear mounting plate
Cables	HD15 video cable USB cable
Power Supply	Input: 100V–240V AC 50/60 Hz Output: 12V DC, 3.3A, 40 W maximum
Power Management	VESA DPMS
Power Consumption	Maximum 23 W
Plug and Play	DDC2B, EDID 1.3
Certifications and Compliance	FCC, CE, WEEE, RoHS (Europe), RoHS (China)
Warranty	Two-year limited warranty. See warranty document for details.

Interactive Pen Display Features

Screen	a-Si TFT active-matrix LCD display
Screen Type	Electromagnetic resonance technology
Communication Interface	USB 2.0 (high speed)
Resolution	XGA 1024 × 768 pixels
Synchronization Range	Horizontal: 30 kHz–56.5 kHz Vertical: 50 Hz–70 Hz
	NOTE: Some Mac computers transmit video signals outside the 50 Hz–75 Hz synchronization range. These models cannot be used with the Symposium™ interactive pen display.

Specifications – Model ID350

Viewing Angle	Horizontal 140° and vertical 125° (typical)
Color Depth	16.2 million
Contrast Ratio	500:1 (typical)
Brightness	Luminance of 250 cd/m ² (typical)
Input Video Signal	Analog 0.7 Vp-p positive at 75 ohm
Auto Adjustment	Less than 2 seconds
Display Response Time	16 milliseconds black-white-black response (typical)
On-Screen Display Control	Brightness, Contrast, Horizontal Position, Vertical Position, Phase, Language, Reset, Color Setting, Color Adjustment (for Red, Green and Blue)

Tablet Features

Pen Tool Buttons	Control the pen behavior: Left Mouse, Digital Ink (Black, Blue and Red) and Eraser
Function Buttons	Access tools and applications: Floating Tools, Notebook Software, Screen Capture, Right Mouse Click and Keyboard
Technology	Electromagnetic resonance technology with USB interface
Pen	Battery-free, tethered pen with convenient storage location for easy access
Pen Report Rate	100 points per second
Power Indicator	Blue light turns on when video signal is present; orange light turns on when video signal isn't present; blue and orange lights blink while power management is active
Status Indicator	Blue status light turns on when tip switch is pressed
Input/Output Interface	Video IN HD15 (F) Video OUT HD15 (F) USB USB (B) (×1) USB 2.0 receptacle to connect the ID350 to your computer USB USB (A) (×2) integrated USB 2.0 hub to connect a mouse, keyboard or memory storage device NOTE: You must connect the interactive pen display to your computer using a USB connection.
Security	Kensington® security slot

Storage and Operating Specifications

Storage	14°F to 140°F (-10°C to 60°C) with 20 to 90% humidity, non-condensing
Operation	41°F to 95°F (5°C to 35°C) with 20 to 80% humidity, non-condensing

SMART Board Software 9.7 Computer Requirements

Windows® Computers	Pentium® II 450 MHz processor 256 MB of RAM (512 MB recommended) 150 MB of free hard disk space for minimum installation (840 MB for full installation with Gallery collections) Windows 2000, Windows XP or Windows Vista™ operating system Internet Explorer® internet browser 6.0 or later Adobe® Flash® player version 8
Requirements for SMART Video Player	Pentium II 450 MHz processor (700 MHz or faster recommended) Windows 2000 operating system or later Microsoft® DirectX® technology 8.1 or later

Specifications – Model ID350

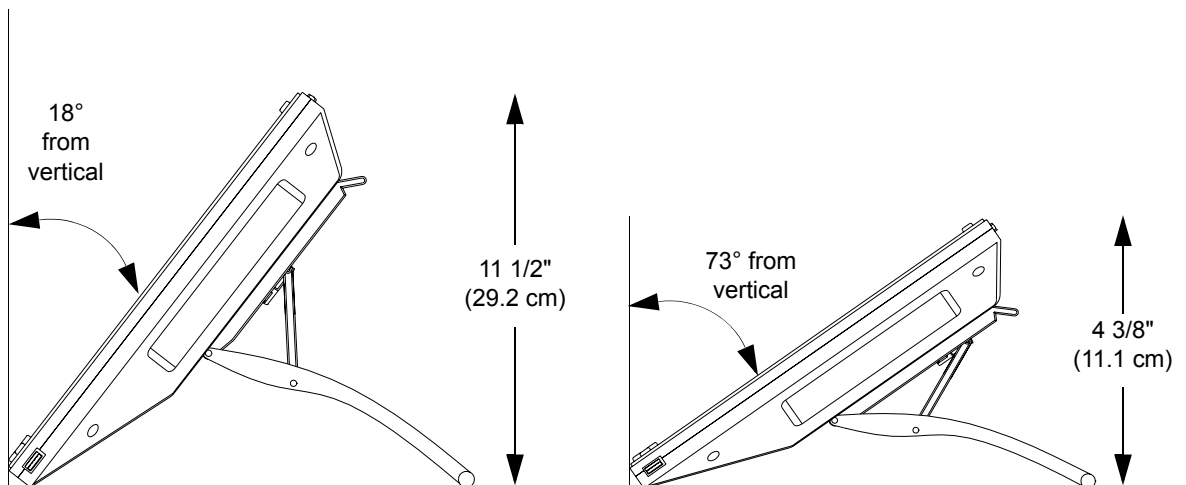
Mac Computers

700 MHz processor (1 GHz or faster recommended) PowerPC® G3, G4 or G5 processors and Intel® processors (universal binary)
256 MB of RAM (512 MB recommended)
85 MB of free hard disk space for minimum installation (825 MB for full installation with Gallery collections)
Mac OS X version 10.4.x operating system software
Safari application program version 1.3.2 or later

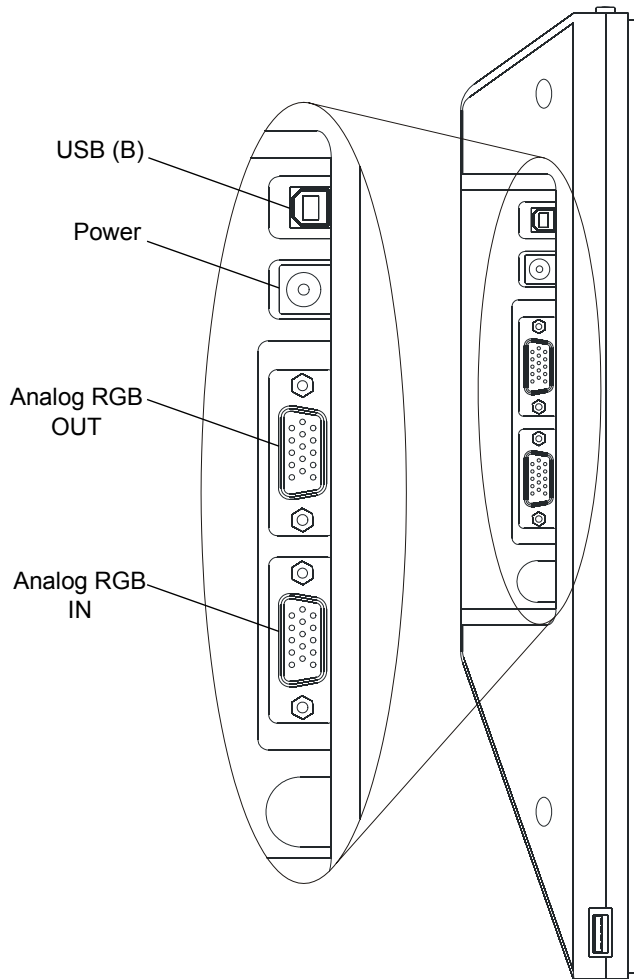
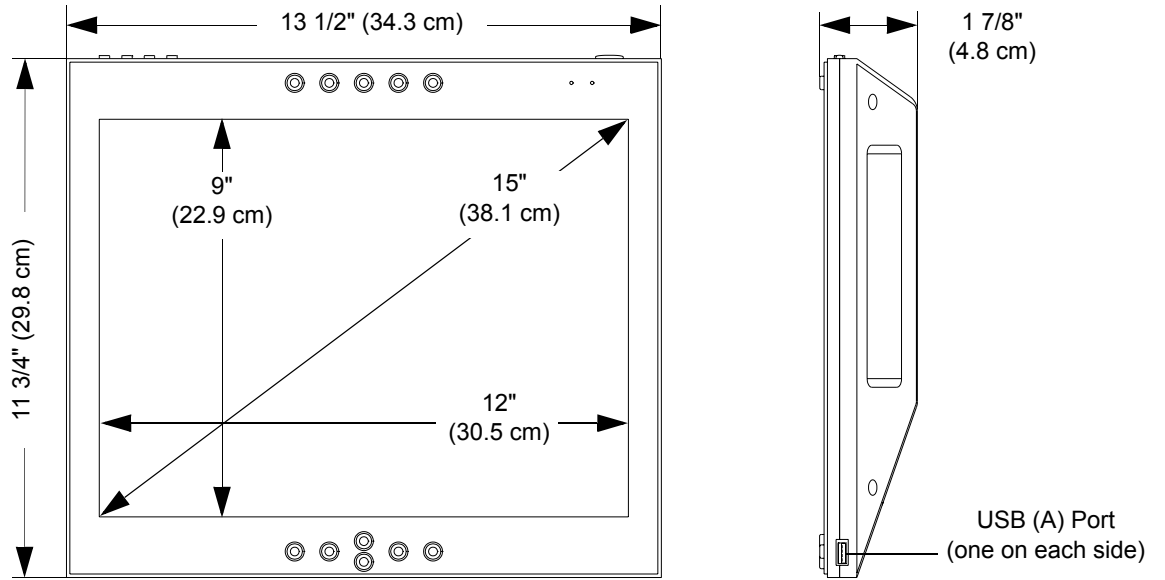
Linux® Computers

Pentium II 450 MHz processor
128 MB of RAM (256 MB recommended)
225 MB of free hard disk space for minimum installation (800 MB for full installation with Gallery collections)
Linux kernel version 2.6 or later (2.6.11 or later for the Sympodium DT770 interactive pen display)
X Window System™ version 11 release 6 (X11R6) or later (must support XRender, Xinerama™, XFixes, Xau and Xdmcp)
glibc 2.3.3 (gcc 3.4.2)
libstdc++6
GNOME™ 2.8.0+ or KDE® 3.3+ libraries (recommended)
SUSE™ 10, Red Hat® Enterprise Linux 4 WS, Debian® 3.1 (Sarge), Ubuntu® 6.06 LTS or Fedora™ Core 3+

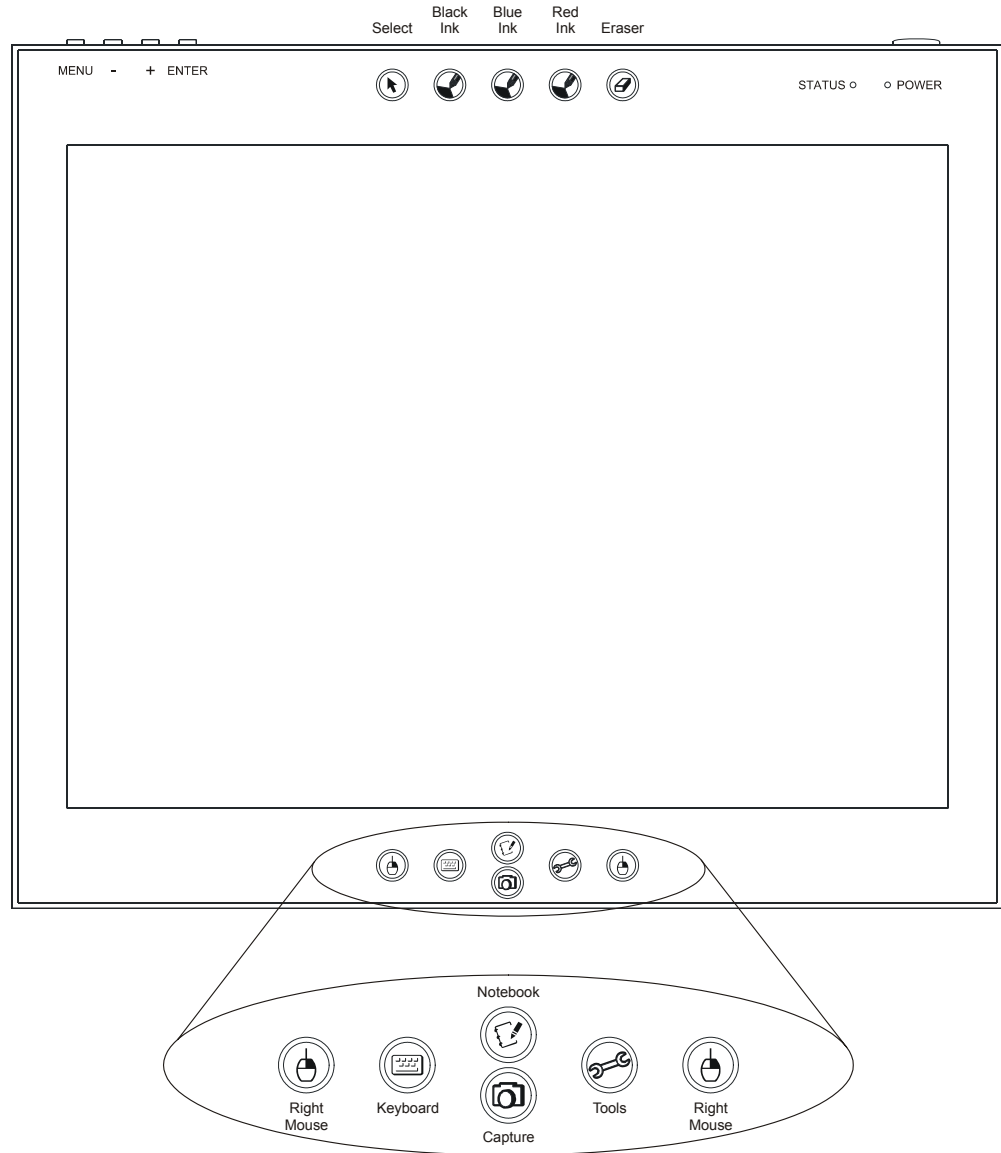
Physical Dimensions



Specifications – Model ID350



Specifications – Model ID350



Optional Accessories

USB-GW GoWire™ SMART Board software auto-launch USB cable

SMART Order Number

SSID350 Symposium ID350 interactive pen display

SMART Technologies
1207 – 11 Avenue SW, Suite 300
Calgary, AB T3C 0M5
CANADA

SMART
Technologies

www.smarttech.com/support www.smarttech.com/contactsupport
Support +1.403.228.5940 or Toll Free 1.866.518.6791 (Canada/U.S.)

© 2007 SMART Technologies ULC. All rights reserved. Symposium, GoWire, SMART Board, Notebook, smarttech and the SMART logo are trademarks or registered trademarks of SMART Technologies ULC in the U.S. and/or other countries. Windows is either a registered trademark or a trademark of Microsoft Corporation in the U.S. and/or other countries. All other third-party product and company names may be trademarks of their respective owners. U.S. Patent Nos. 5,448,263; 6,141,000; 6,326,954; 6,337,681; 6,741,267; 6,747,636; and 7,151,533. Canadian Patent No. 2,058,219. U.S., Canadian and other patents pending. Specifications are subject to change without notice. 10/2007.