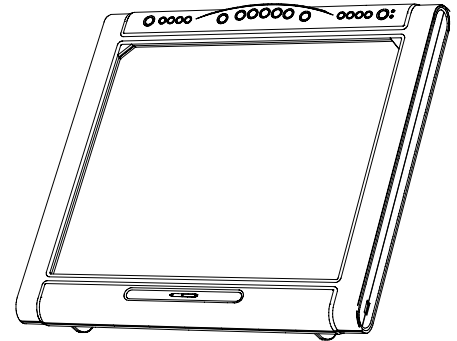


Symposium™ Interactive Pen Display

Specifications – Model DT770

Physical Specifications

Size	19" W × 18" H × 3 5/8" D (48.3 cm × 45.7 cm × 9.2 cm)
Display Area	13 1/4" W × 10 5/8" H (33.7 cm × 27.0 cm) 17" (43.2 cm) diagonal
Weight	19 lb. 8 oz. (8.9 kg)
Shipping Size	27 1/2" W × 26 1/2" H × 11" D (69.9 cm × 67.3 cm × 27.9 cm)
Shipping Weight (Carton and Contents)	34 lb. (15.4 kg)



All dimensions +/- 1/8" (0.3 cm). All weights +/- 2 lb. (0.9 kg).

Console Features

Software	SMART Board™ software and Notebook™ software. Software upgrades are available at www.smarttech.com/support/software/index.asp .
Technology	Dual touch DVIT™ (Digital Vision Touch) technology
Pen	Battery-free, tethered pen with LED status indicator. Convenient magnetized storage location for easy access.
Pen Tool Buttons	Lighted buttons for controlling the pen behavior: Left Mouse, Right Mouse, Digital Ink (Black, Blue, Red and Green) and Eraser
Function Buttons	Programmable buttons for accessing tools and applications: Floating Tools, Notebook Software, Screen Capture and Keyboard
Room Control Button	Button for launching room control interface menu
Input/Output Interface	Video IN HD15 (F) Video OUT HD15 (F) - internal distribution amplifier supports cable length up to 100' (30 m) Pen Tether 3.5 mm stereo jack USB USB (B) (×1) integrated USB 2.0 hub to connect the DT770 to your computer USB USB (A) (×3) integrated USB 2.0 hub to connect a mouse, keyboard or memory storage device Serial DB9 (F) VDC IN 4 pin mini-DIN
	NOTE: You can connect the interactive pen display to your computer using either a USB or serial connection.
Power Supply	Input: 100V–240V AC 50/60 Hz. Output: 12V DC, 5A, 60W maximum
Power Management	VESA DPMS
Power Consumption	Normal operation: <60W (Power LED green). Suspend/Standby mode: <25W (Power LED orange). Off: <5W (Power LED off).
Mechanical Mounting	Standard VESA 100 mm rear mounting plate
Stand	Choose between two operating angles, 30° or 45° from horizontal
Security	Kensington® security slot
Certifications and Compliance	FCC, CE, WEEE, RoHS (China), RoHS (Europe)
Warranty	Two-year limited warranty. See warranty document for details.

LCD Features

Display Screen	a-Si TFT active-matrix LCD
Interactive Screen Type	DViT with Active Pen or Finger Touch (Dual Touch)
Communication Interface	USB 2.0 (high speed)
Resolution	1280 × 1024 pixels
Synchronization Range	Horizontal: 30 kHz–56.5 kHz Vertical: 50 Hz–70 Hz NOTE: Some Macintosh computers transmit video signals outside the 50 Hz–70 Hz synchronization range. These models cannot be used with the Sympodium™ interactive pen display.
Viewing Angle	Horizontal 70° Vertical 60°
Color Depth	16.2 million Color Emulation via FRC
Contrast Ratio	300:1 minimum, normal to screen, center position
Brightness	Luminance of 200 cd/m ² (typical)
Input Video Signal	Analog 0.7 Vp-p positive at 75 ohm
Auto Adjustment	Less than 2 seconds
Display Response Time	8 milliseconds, typical
On-Screen Display Control	Brightness, Contrast Horizontal Position, Vertical Position, Clock, Phase, OSD off time, Language, Sharpness, Reset, Color Setting, Color Adjustment for Red, Green and Blue

Storage and Operating Specifications

Storage	-4°F to 140°F (-20°C to 60°C) with 20% to 80% humidity, non-condensing
Operation	41°F to 95°F (5°C to 35°C) with 20% to 80% humidity, non-condensing

SMART Board Software 9.7 Computer Requirements

Windows Computers	Pentium® II 450 MHz processor 256 MB of RAM (512 MB recommended) 150 MB of free hard disk space for minimum installation (840 MB for full installation with Gallery collections) Windows 2000, Windows XP or Windows Vista™ operating system Internet Explorer® internet browser 6.0 or later Adobe® Flash® player version 8
Requirements for SMART Video Player	Pentium II 450 MHz processor (700 MHz or faster recommended) Windows 2000 operating system or later Microsoft® DirectX® technology 8.1 or later
Mac Computers	700 MHz processor (1 GHz or faster recommended) PowerPC® G3, G4 or G5 processors and Intel® processors (universal binary) 256 MB of RAM (512 MB recommended) 85 MB of free hard disk space for minimum installation (825 MB for full installation with Gallery collections) Mac OS X version 10.4.x operating system software Safari application program version 1.3.2 or later

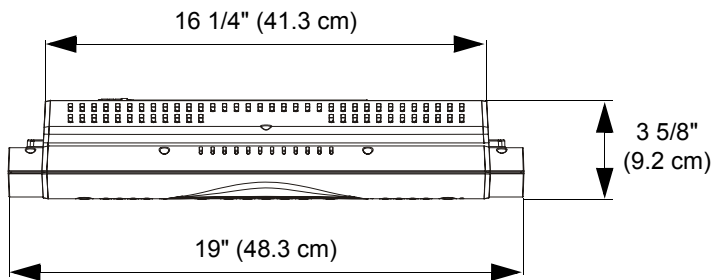
Specifications – Model DT770

Linux® Computers

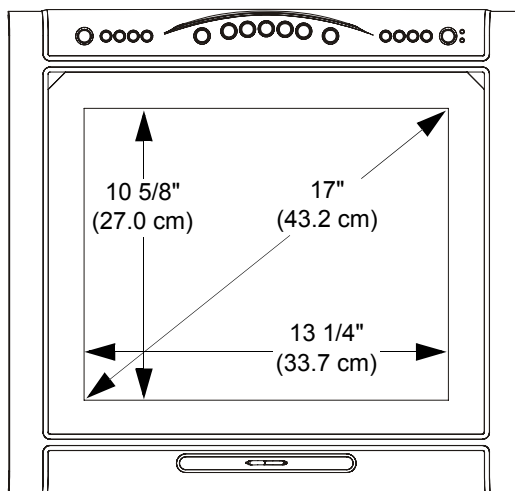
Pentium II 450 MHz processor
128 MB of RAM (256 MB recommended)
225 MB of free hard disk space for minimum installation (800 MB for full installation with Gallery collections)
Linux kernel version 2.6 or later (2.6.11 or later for the Sympodium DT770 interactive pen display)
X Window System™ version 11 release 6 (X11R6) or later (must support XRender, Xinerama™, XFixes, Xau and Xdmcp)
glibc 2.3.3 (gcc 3.4.2)
libstdc++6
GNOME™ 2.8.0+ or KDE® 3.3+ libraries (recommended)
SUSE™ 10, Red Hat® Enterprise Linux 4 WS, Debian® 3.1 (Sarge), Ubuntu® 6.06 LTS or Fedora™ Core 3+

Dimensions

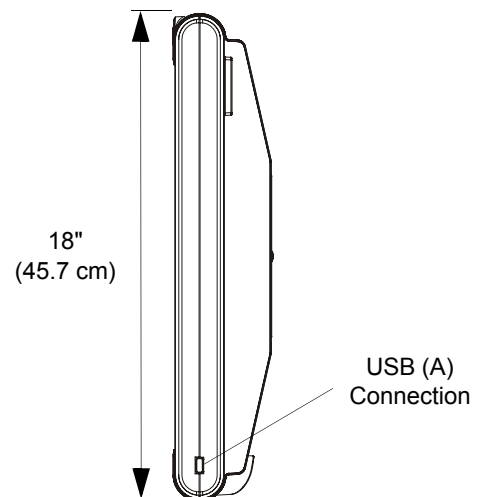
Top View



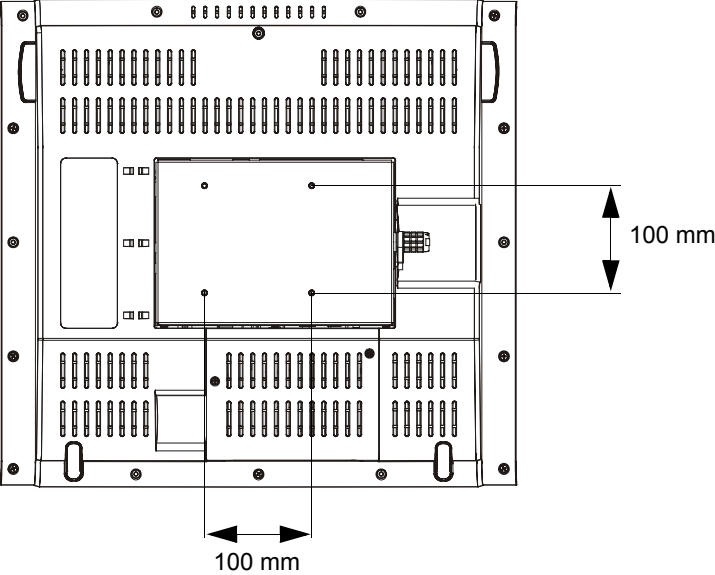
Front View



Side View

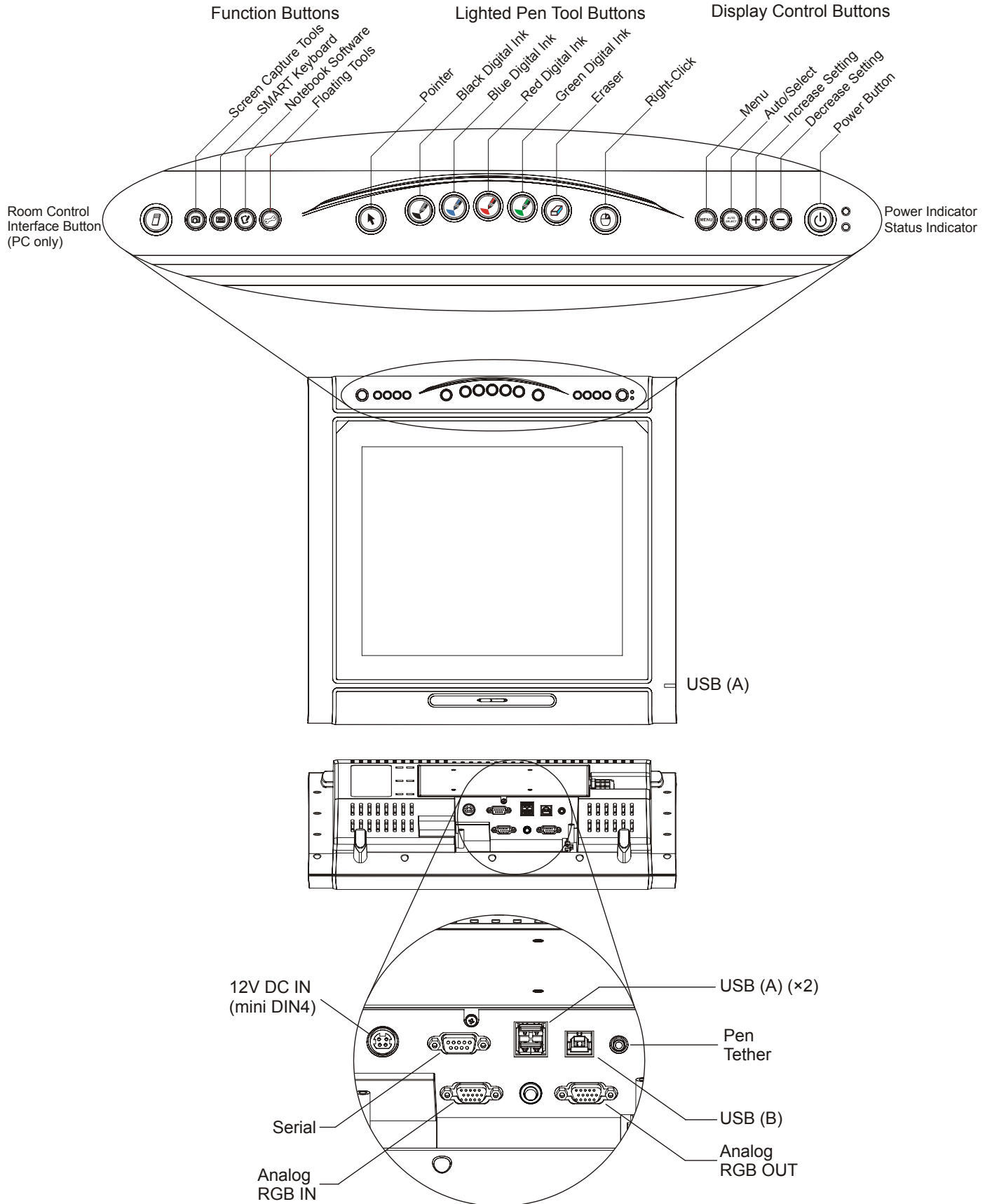


Specifications – Model DT770



Back View

Specifications – Model DT770



Optional Accessories

USB-GW GoWire™ SMART Board software auto-launch USB cable

SMART Order Number

SSDT770 Sympodium DT770 interactive pen display

SMART Technologies
1207 – 11 Avenue SW, Suite 300
Calgary, AB T3C 0M5
CANADA



www.smarttech.com/support www.smarttech.com/contactsupport
Support +1.403.228.5940 or Toll Free 1.866.518.6791 (Canada/U.S.)

© 2005–2007 SMART Technologies ULC. All rights reserved. Sympodium, Notebook, DVIT, GoWire, smarttech, SMART Board, and the SMART logo are trademarks or registered trademarks of SMART Technologies ULC in the U.S. and/or other countries. Microsoft and Windows are either registered trademarks or trademarks of Microsoft Corporation in the U.S. and/or other countries. All other third-party product and company names may be trademarks of their respective owners. U.S. Patent Nos. 5,448,263; 6,141,000; 6,326,954; 6,337,681; 6,741,267; 6,747,636; 6,803,906; 6,919,880; 6,947,032; 6,954,197; 6,972,401; 7,151,533; 7,184,030 and 7,236,162. Canadian Patent No. 2,058,219. European Patent No. EP 1,297,488. U.S., Canadian and other patents pending. Specifications are subject to change without notice. 10/2007.